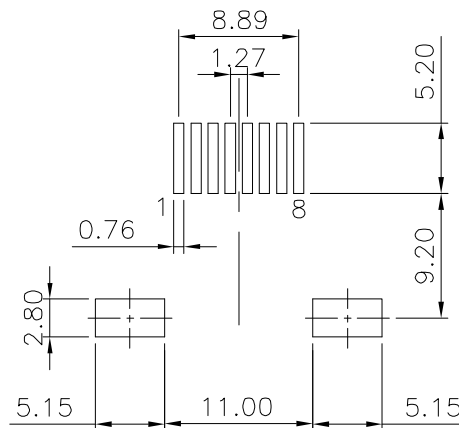
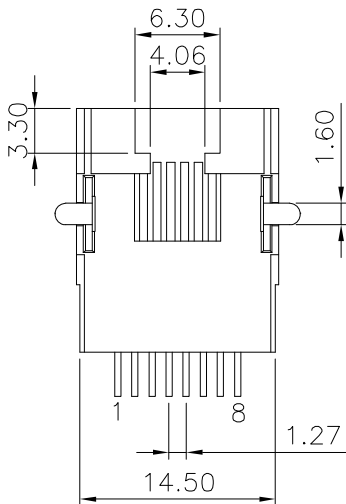
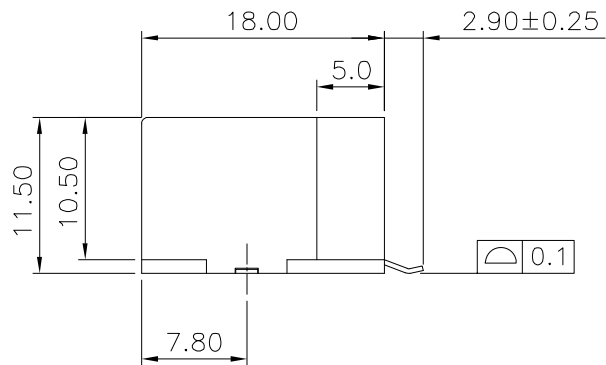
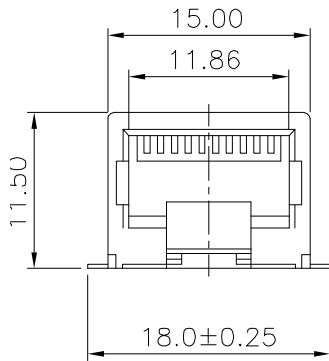


**11 Series RJ45 1x1 PORT TAB Down 8P8C W/O LED, Shell , SMT type**



◎ MATERIAL :Insulator : High Temperature Thermoplastic (UL 94V-0)  
 , Color:Black  
 Terminal : Phosphor Bronze  
 ◎ W x H x D = 15.00 x 11.50 x 18.00 (mm)

RoHS Compliant



PCB LAYOUT

Ref.

**Ordering Information**

**11JS78S - X X X X X**

①                      ② ③ ④ ⑤ ⑥

① Series No. 11= 1 x 1 port

② Material : D:PA9T

③ Plating : B: 1μ" Au

④ Shield type : 0= without shield

⑤ Left LED color : N= Without LED

⑥ Right LED color : N= Without LED